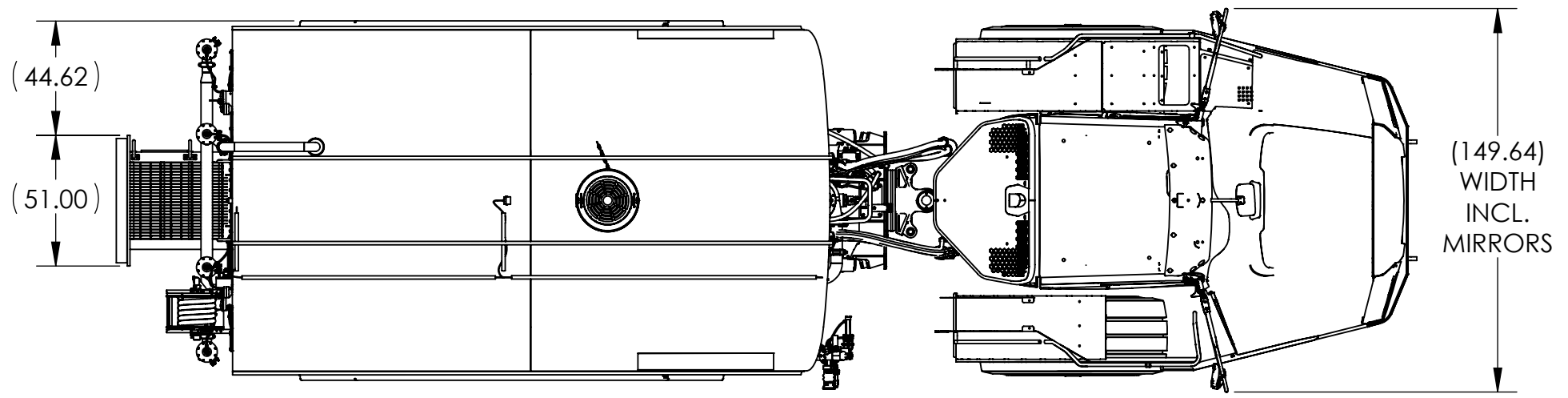
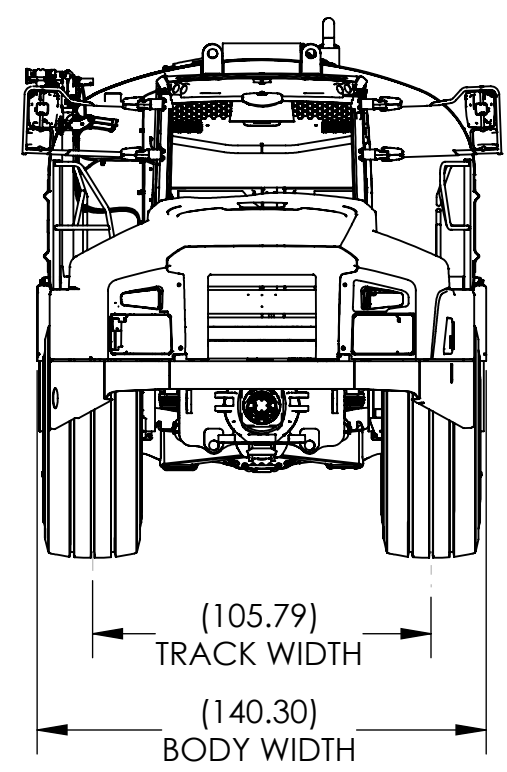
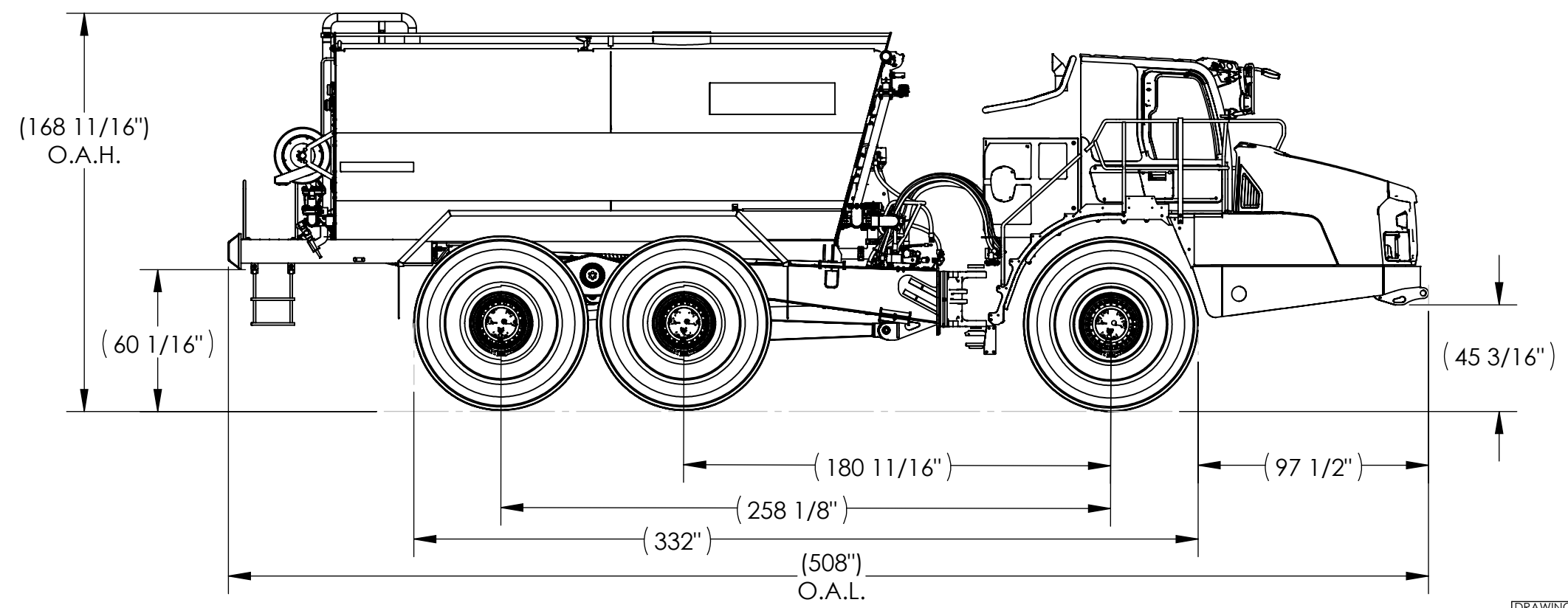


REVISIONS					
REV.	DESCRIPTION	DATE	DRAWN	ECN #	APPROVED



**STANDARD FEATURES:**  
 WATER MONITOR  
 FOUR REAR SPRAYHEADS  
 HOSE REEL WITH NOZZLE  
 TOUCHSCREEN CONTROLS  
 BACKUP CAMERA

**OPTIONAL FEATURES:**  
 PUSH-BUTTON CONTROLS  
 SIDE SPRAYERS  
 360° CAMERA VISION SYSTEM  
 GRAVITY BAR



- NOTES:**
- SK9AT CURB WEIGHT: 80,100LBS. (APPROX.)
  - SK9AT TANK ASSEMBLY ONLY: 18,100LBS. (APPROX.)
  - WATER CAPACITY: 9000 GAL. (ADDS 75,100LBS.)
  - GROUND PRESSURE PER TIRE (FULLY LADEN): 51PSI. (FRONT), 68PSI. (REAR)

\*ALL DATA GENERATED USING DENSITY OF CLEAN NON-POTABLE WATER

DRAWING STATUS: **RELEASED**

UNLESS OTHERWISE SPECIFIED  
 TOLERANCES:  
 .X ± 0.1  
 .XX ± 0.03  
 .XXX ± 0.010  
**FOR ASSYS & BENT RADII ONLY**  
 .XX ± 0.06

FRACTIONAL ± 1/16"  
 ANGULAR: MACH ± 1/2°  
 - ALL DIMENSIONS IN INCHES

PROJECTION:

	NAME	DATE
DRAWN	K.FARLEY	9/23/24
CHECKED	C.PLEMONS	9/24/24
ENG. APPROVAL	S.RAHIMIAN	10/02/24
MFG. APPROVAL		



TITLE:  
**SK9AT GENERAL ARRANGEMENT**

SIZE <b>B</b>	DWG. NO. <b>10172-000</b>	REV -
------------------	------------------------------	----------

SCALE: 1:60

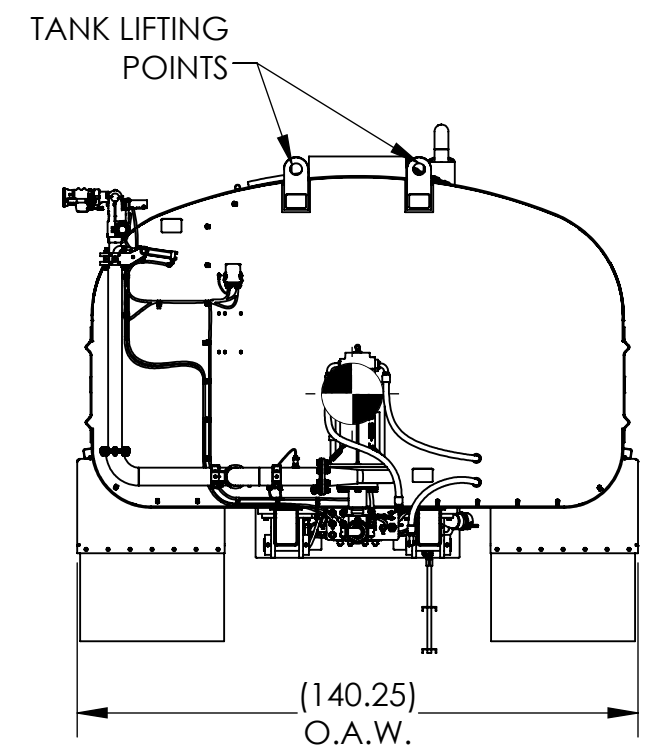
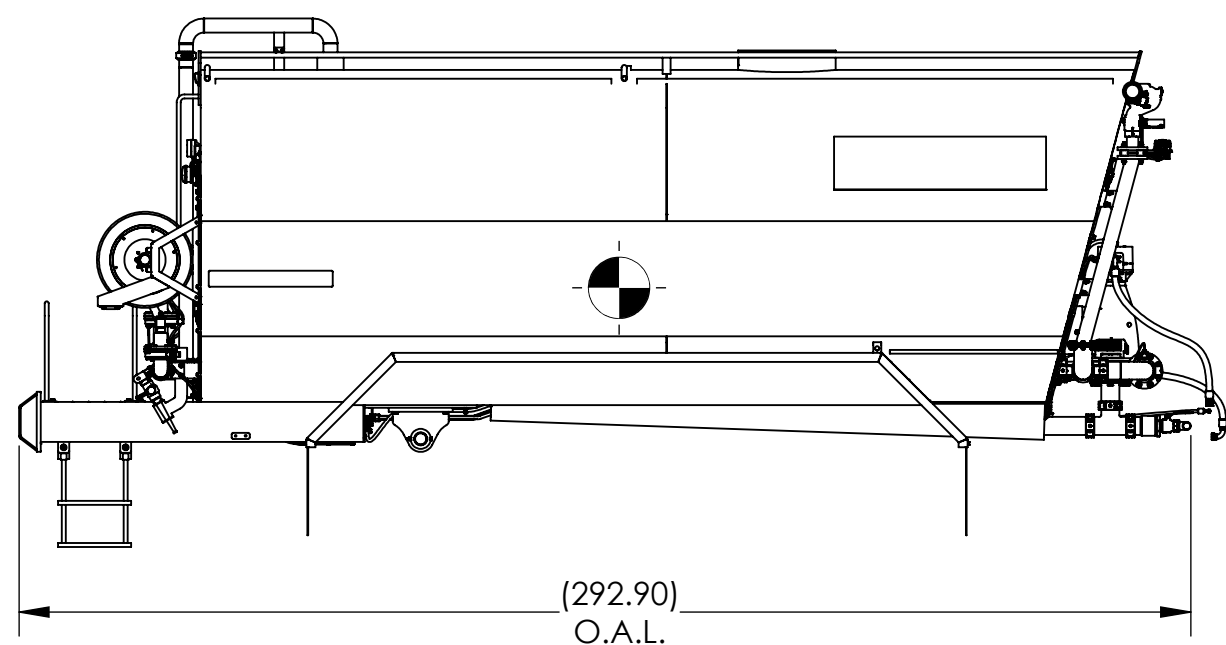
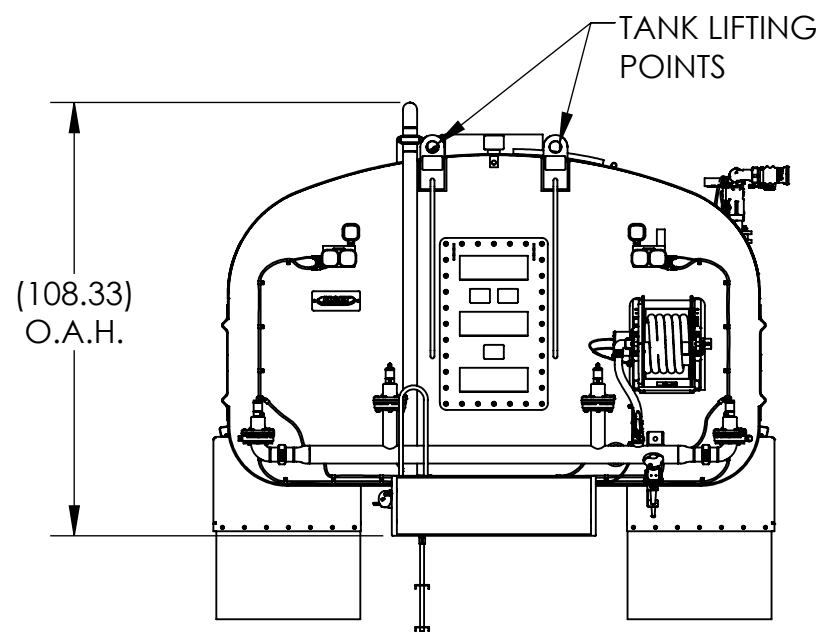
ALL SHEETS ARE THE SAME REVISION LEVEL SHEET 1 OF 2

DWG. UNCONTROLLED WHEN PRINTED  
 FILE INFORMATION  
 Last Saved By : Karsten.farley  
 File Saved On : Thursday, October 3, 2024 2:02:21 PM  
 2000 Texas Central Pkwy, Bldg. 100, Waco, TX 76712 PH: 1-844-465-8634

8 7 6 5 4 3 2 1

D  
C  
B  
A

D  
C  
B  
A



**SK9AT**  
TANK ASSEMBLY ONLY



TITLE:  
ASSY, SK9AT ON 745

DRAWING STATUS:  
**RELEASED**  
PROPRIETARY AND CONFIDENTIAL:  
THE INFORMATION CONTAINED IN THIS  
DRAWING IS THE SOLE PROPERTY OF HOLT  
MANUFACTURING. ANY REPRODUCTION  
IN PART OR AS A WHOLE WITHOUT THE  
WRITTEN PERMISSION OF HOLT  
MANUFACTURING IS PROHIBITED.

SIZE <b>B</b>	DWG. NO. 10172-000	REV -
------------------	-----------------------	----------

SCALE: 1:48 ALL SHEETS ARE THE SAME REVISION LEVEL SHEET 2 OF 2

8 7 6 5 4 3 2 1

DWG. UNCONTROLLED WHEN PRINTED  
 FILE INFORMATION  
 Last Saved By : Kristen Farley  
 File Saved On : Thursday, October 3, 2024 2:02:21 PM  
 PH: 1-844-465-8634  
 2000 Texas Central Pkwy, Bldg. 100, Waco, TX 76712