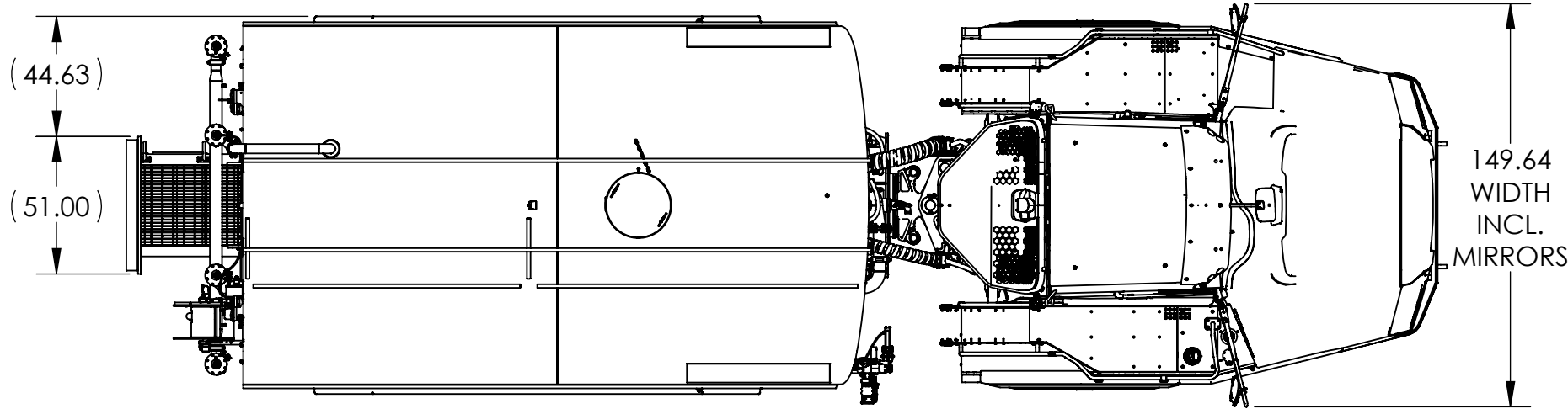


REVISIONS					
REV.	DESCRIPTION	DATE	DRAWN	ECN #	APPROVED
A	UPDATE TO STD FORMAT	10/22/24	KLF	2024-0219	STR

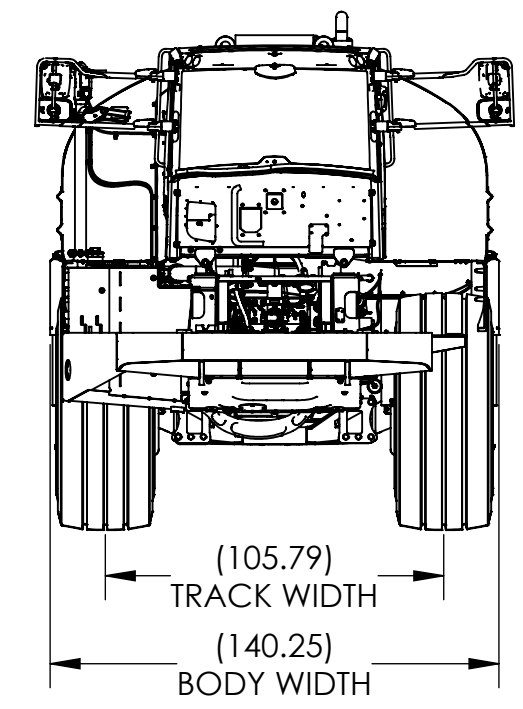
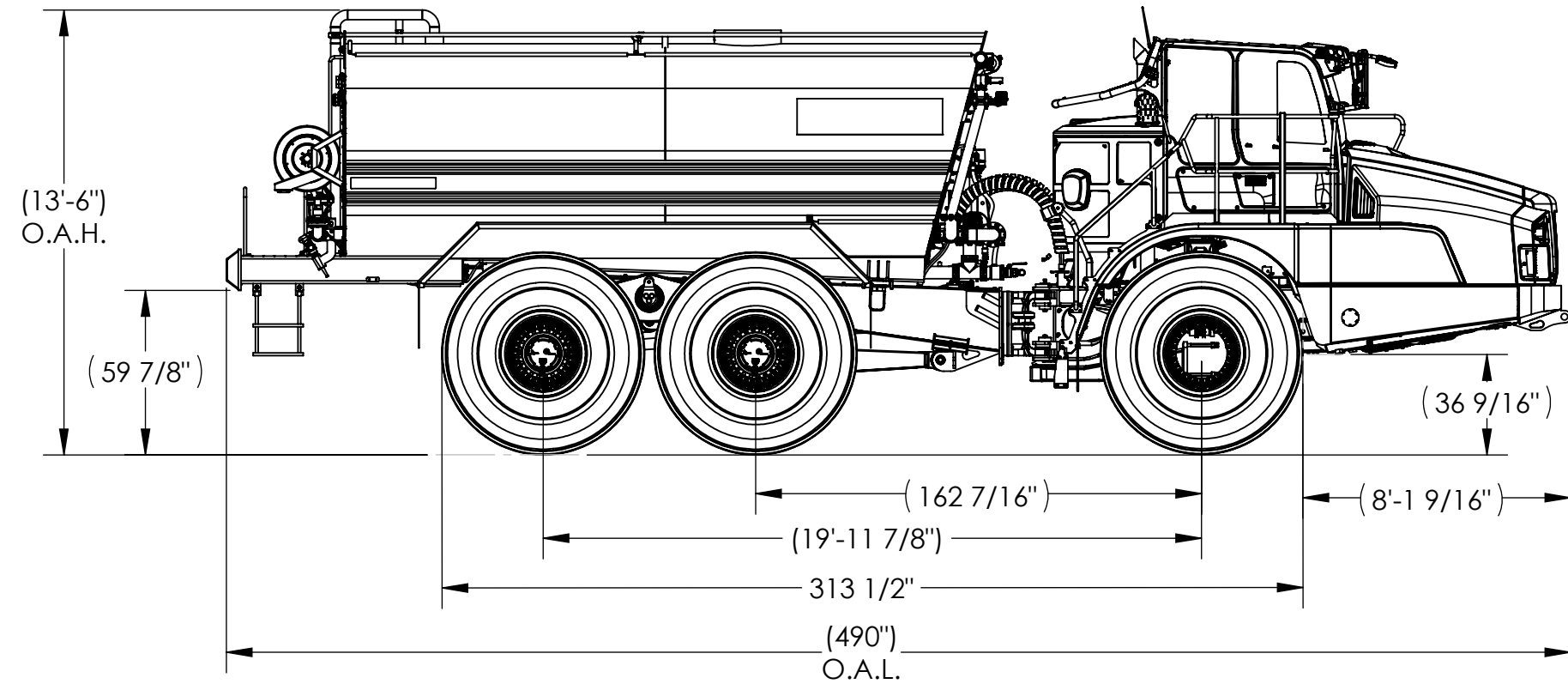


STANDARD FEATURES:

- WATER MONITOR
- FOUR REAR SPRAYHEADS
- HOSE REEL WITH NOZZLE
- TOUCHSCREEN CONTROLS
- BACKUP CAMERA

OPTIONAL FEATURES:

- PUSH-BUTTON CONTROLS
- SIDE SPRAYERS
- 360° CAMERA VISION SYSTEM
- GRAVITY BAR



ZERO PLANE REFERENCE (IF SHOWN)	
01	☐ OF CRANKSHAFT
02	☐ OF ENGINE
03	☐ REAR FACE OF CYL BLOCK

DRAWING STATUS: **RELEASED**

UNLESS OTHERWISE SPECIFIED
TOLERANCES:
.X ± 0.1
.XX ± 0.03
.XXX ± 0.010
FOR ASSYS & BENT RADII ONLY
.XX ± 0.06

FRACTIONAL ± 1/16"
ANGULAR: MACH ± 1/2°
- ALL DIMENSIONS IN INCHES

PROJECTION:		
	NAME	DATE
DRAWN	K.FARLEY	01/24/24
CHECKED	C.PLEMONS	04/18/24
ENG. APPROVAL	S. RAHIMIAN	10/18/24
MFG. APPROVAL		



TITLE:
SK8AT GENERAL ARRANGEMENT

SIZE	DWG. NO.	REV
B	10100-000	A

ALL SHEETS ARE THE SAME REVISION LEVEL SHEET 1 OF 2

NOTES:
SK8AT CURB WEIGHT: 78,000 LBS. (APPROX.)
OPERATIONAL WEIGHT (FULL TANK): 145,000 LBS. (EST.)
WATER TANK CAPACITY: 8,000 GALLONS (ADDS 66,720 LBS.)
GROUND PRESSURE PER TIRE (FULLY LADEN): 50 PSI. (FRONT) 62PSI (REAR)

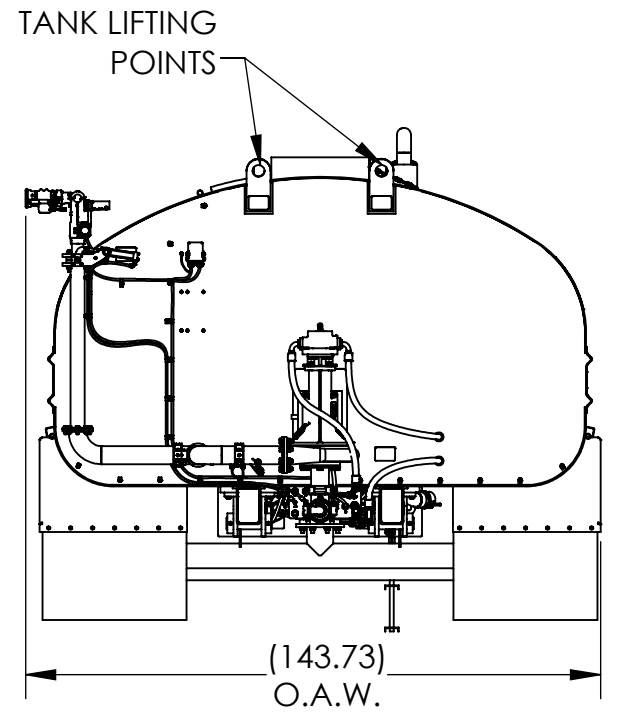
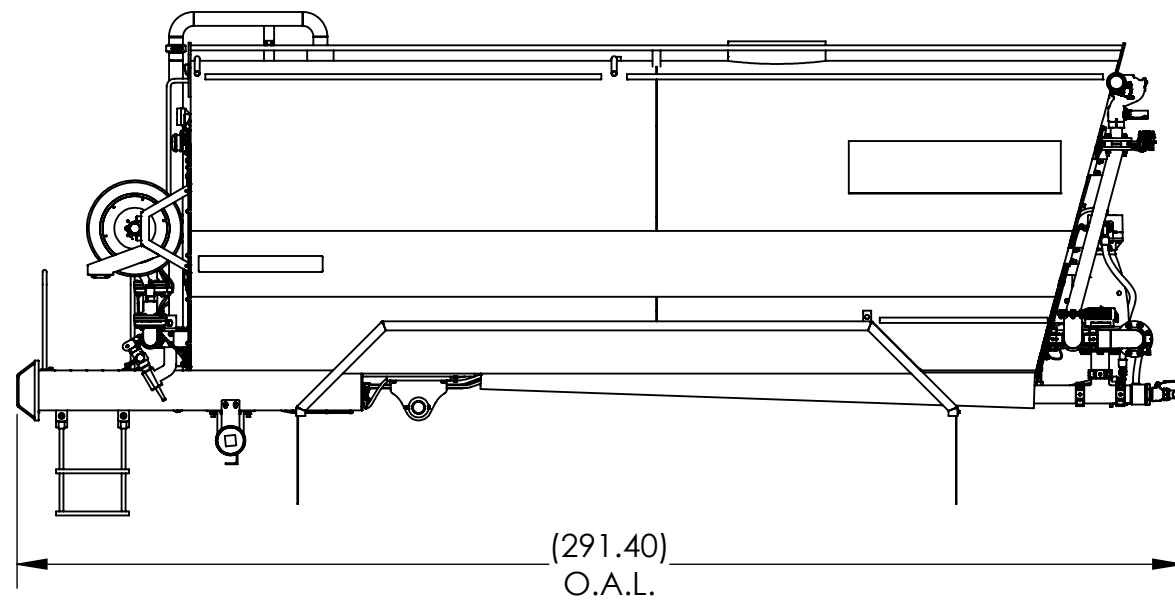
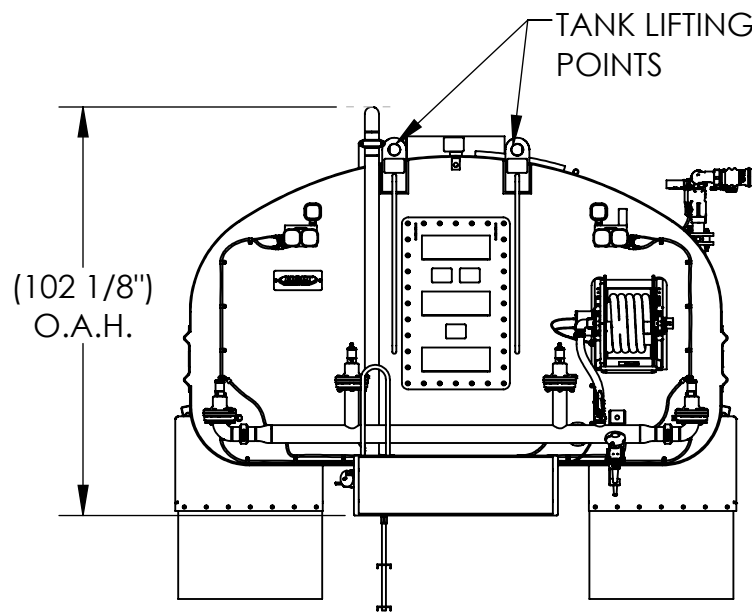
* ALL DATA GENERATED USING DENSITY OF CLEAN NON-POTABLE WATER

DWG. UNCONTROLLED WHEN PRINTED
 FILE INFORMATION
 Last Saved By : Karsten.farley
 File Saved On : Tuesday, October 22, 2024 9:25:01 AM
 2000 Texas Central Pkwy, Bldg. 100, Waco, TX 76712 PH: 1-844-465-8634

8 7 6 5 4 3 2 1

D
C
B
A

D
C
B
A



SK8AT
TANK ASSEMBLY ONLY

ZERO PLANE REFERENCE (IF SHOWN)	
01	☒ Q OF CRANKSHAFT
02	☒ Q OF ENGINE
03	☒ REAR FACE OF CYL BLOCK



TITLE:
**SK8AT GENERAL
ARRANGEMENT**

DRAWING STATUS:
RELEASED

PROPRIETARY AND CONFIDENTIAL:
THE INFORMATION CONTAINED IN THIS
DRAWING IS THE SOLE PROPERTY OF HOLT
MANUFACTURING. ANY REPRODUCTION
IN PART OR AS A WHOLE WITHOUT THE
WRITTEN PERMISSION OF HOLT
MANUFACTURING IS PROHIBITED.

SCALE: 1:48

SIZE B	DWG. NO. 10100-000	REV A
ALL SHEETS ARE THE SAME REVISION LEVEL		SHEET 2 OF 2

8 7 6 5 4 3 2 1

FILE INFORMATION
 Last Saved By : karsten.farley
 File Saved On : Tuesday, October 22, 2024 9:25:01 AM
 PH: 1-844-465-8634
 2000 Texas Central Pkwy, Bldg. 100, Waco, TX 76712
 DWG. UNCONTROLLED WHEN PRINTED