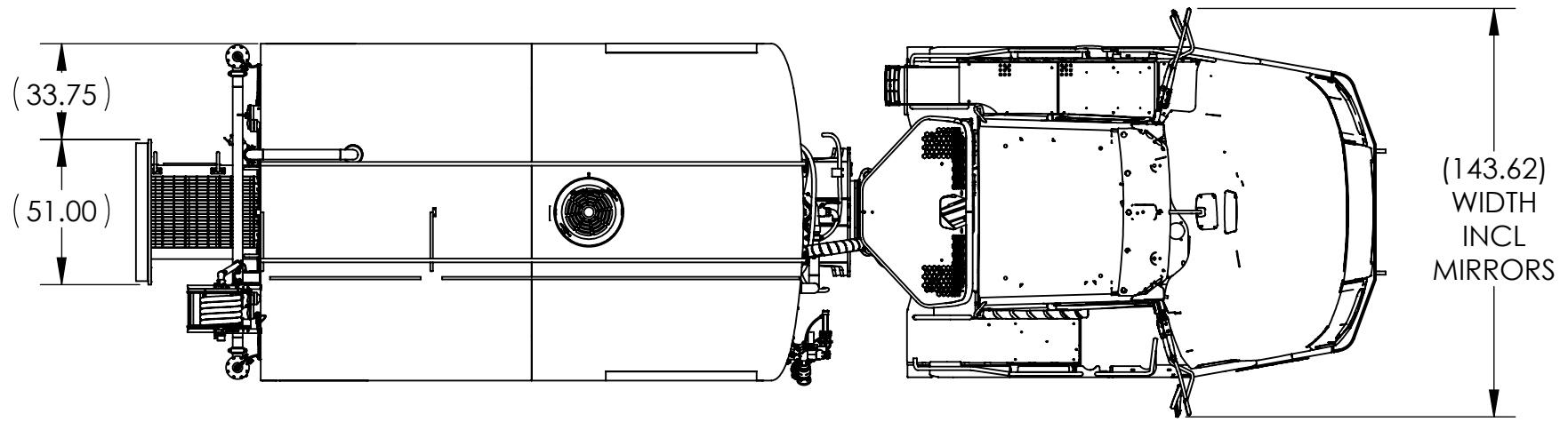
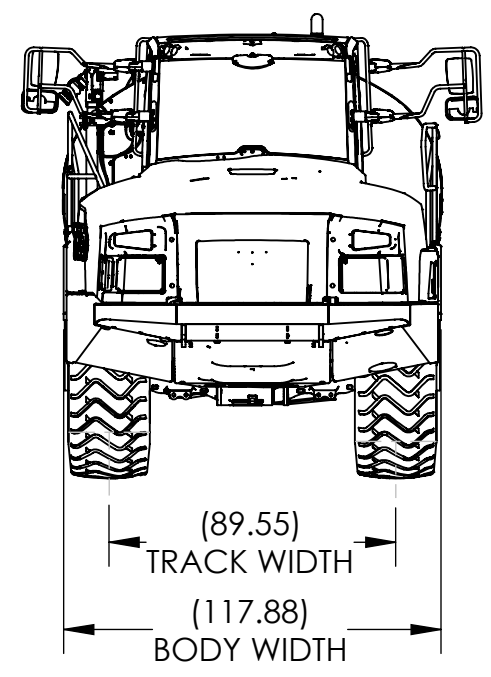
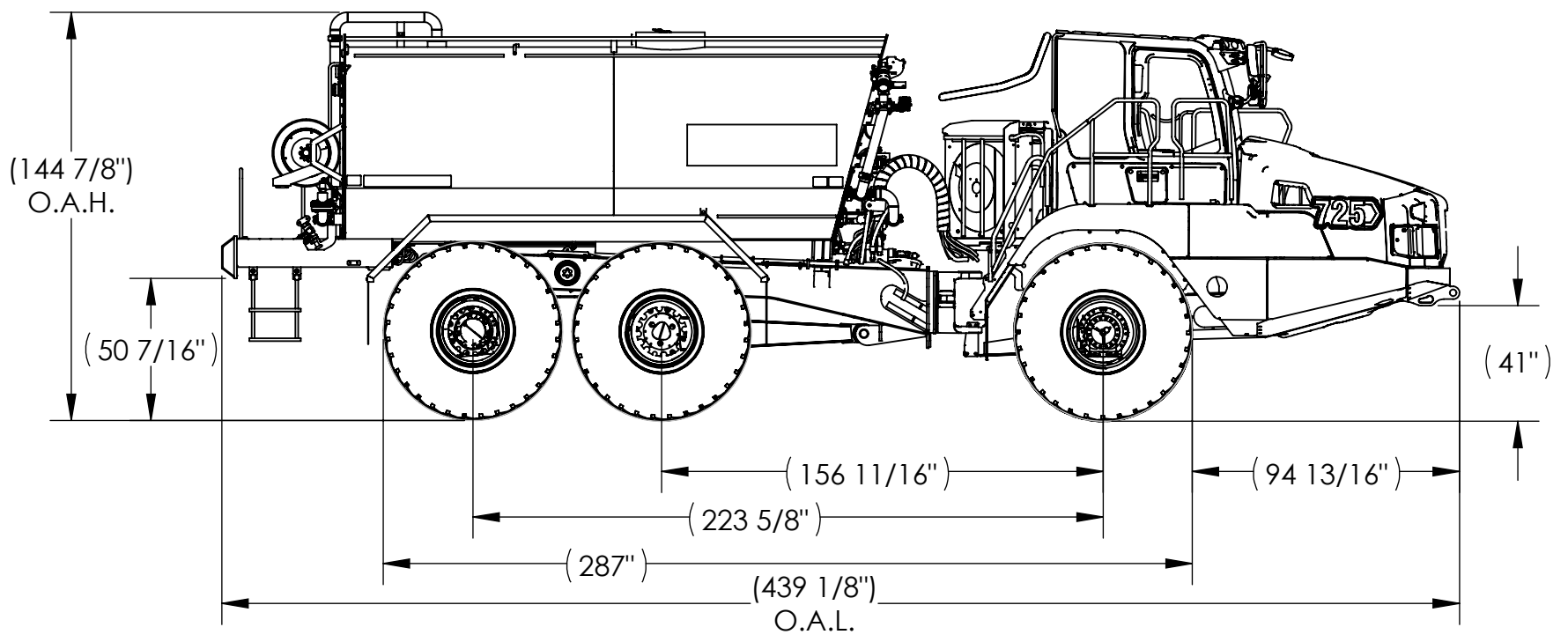


REVISIONS					
REV.	DESCRIPTION	DATE	DRAWN	ECN #	APPROVED



STANDARD FEATURES:
 WATER MONITOR
 FOUR REAR SPRAYHEADS
 HOSE REEL WITH NOZZLE
 TOUCHSCREEN CONTROLS
 BACKUP CAMERA

OPTIONAL FEATURES:
 PUSH-BUTTON CONTROLS
 SIDE SPRAYERS
 360° CAMERA VISION SYSTEM
 GRAVITY BAR



NOTES:

- SK5AT CURB WEIGHT: 56,000LBS. (APPROX.)
- SK5AT TANK ASSY ONLY: 12,310LBS. (APPROX.)
- WATER CAPACITY: 5000 GAL. (ADDS 41,700LBS.)
- GROUND PRESSURE PER TIRE (FULLY LADEN): 43PSI (FRONT), 38PSI (REAR)

*ALL DATA GENERATED USING DENSITY OF CLEAN NON-POTABLE WATER

DRAWING STATUS: **RELEASED**

UNLESS OTHERWISE SPECIFIED
 TOLERANCES:
 .X ± 0.1
 .XX ± 0.03
 .XXX ± 0.010
FOR ASSYS & BENT RADII ONLY
 .XX ± 0.06

FRACTIONAL ± 1/16"
 ANGULAR: MACH ± 1/2°
 - ALL DIMENSIONS IN INCHES

PROJECTION:

	NAME	DATE
DRAWN	K.FARLEY	09/24/24
CHECKED	C.PLEMONS	09/27/24
ENG. APPROVAL	S.RAHIMIAN	10/02/24
MFG. APPROVAL		



TITLE:
SK5AT GENERAL ARRANGEMENT

SCALE: 1:60

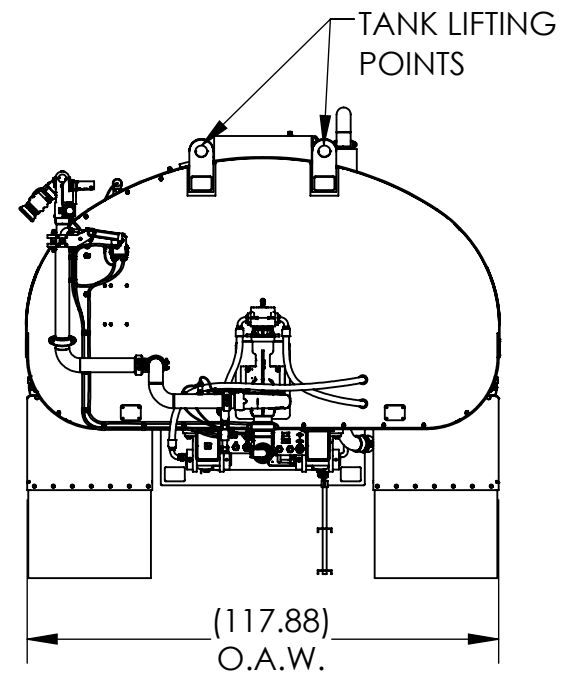
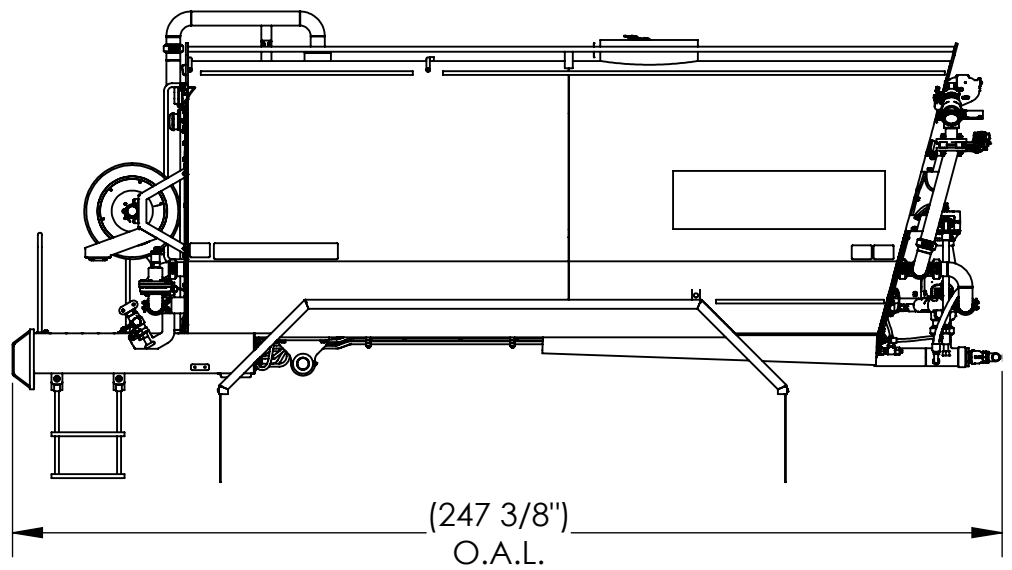
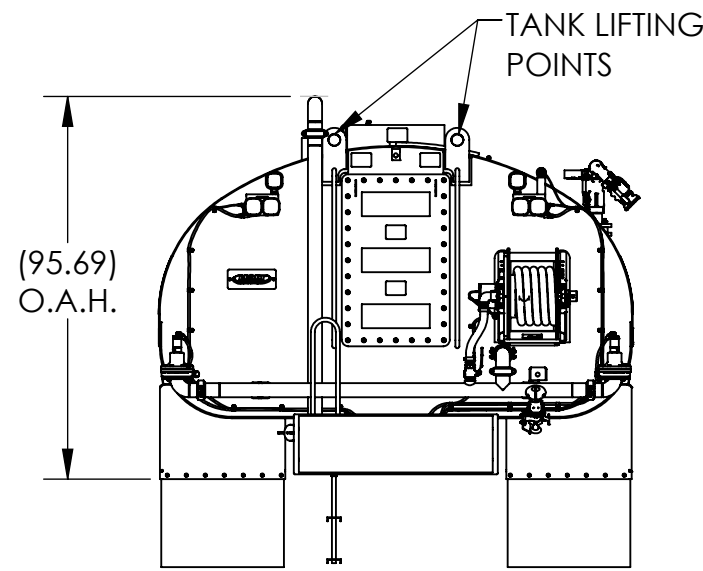
SIZE B	DWG. NO. 10190-000	REV -
------------------	-----------------------	----------

ALL SHEETS ARE THE SAME REVISION LEVEL SHEET 1 OF 2

8 7 6 5 4 3 2 1

D
C
B
A

D
C
B
A



SK5AT
TANK ASSEMBLY ONLY

DRAWING STATUS:
RELEASED

PROPRIETARY AND CONFIDENTIAL:
THE INFORMATION CONTAINED IN THIS
DRAWING IS THE SOLE PROPERTY OF HOLT
MANUFACTURING. ANY REPRODUCTION
IN PART OR AS A WHOLE WITHOUT THE
WRITTEN PERMISSION OF HOLT
MANUFACTURING IS PROHIBITED.

SCALE: 1:48

HOLT
MANUFACTURING

TITLE:
**SK5AT GENERAL
ARRANGEMENT**

SIZE B	DWG. NO. 10190-000	REV -
ALL SHEETS ARE THE SAME REVISION LEVEL		SHEET 2 OF 2

DWG. UNCONTROLLED WHEN PRINTED
 FILE INFORMATION
 Last Saved By : Karsten.Farley
 File Saved On : Thursday, October 3, 2024 8:38:47 AM
 PH: 1-844-465-8634
 2000 Texas Central Pkwy, Bldg. 100, Waco, TX 76712