



CUSTOM MANUFACTURING: LAND MANAGEMENT TOOLS



844.465.8634

Custom Manufacturing: Land Management Tools

Benjamin Holt forged his reputation on listening to his customers and delivering on their needs.

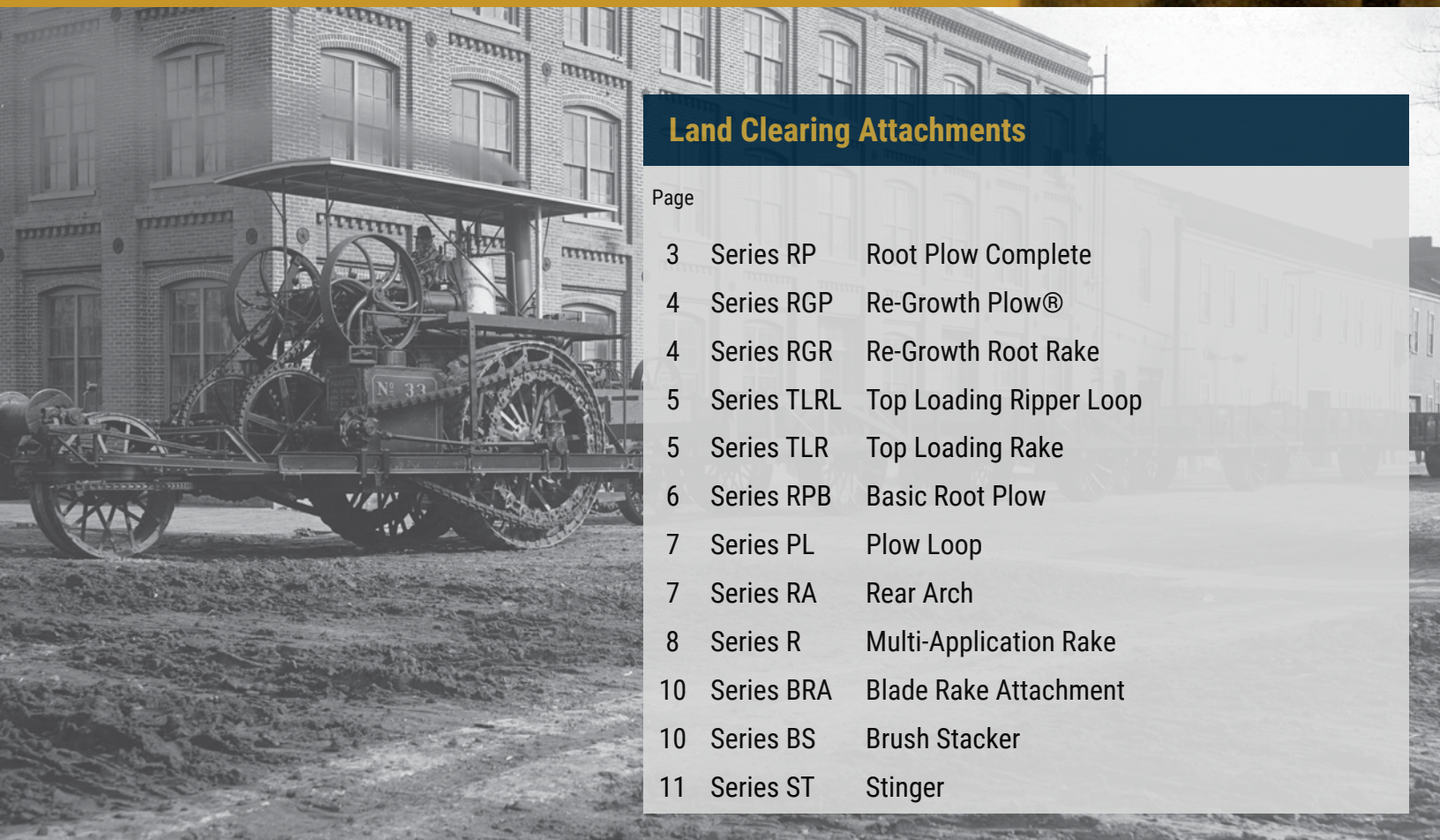
That legacy lives on today.

Because we know one-of-a-kind problems require one-of-a-kind solutions. So we work hard to understand your unique needs – in order to deliver solutions that help you succeed.

HOLT's manufacturing operations began in the 1940s, fabricating special application attachments designed for land clearing operations for the Cat® earthmoving equipment line. South Texas ranchers used these custom attachments to clear brush and prepare land for cultivation.

Our custom fabrication services can create the answers your business demands – for everything from custom attachments, to tools, to components, to special application machines.

Simply put, if you need it, we can fabricate it.



Land Clearing Attachments

Page

3	Series RP	Root Plow Complete
4	Series RGP	Re-Growth Plow®
4	Series RGR	Re-Growth Root Rake
5	Series TLR	Top Loading Ripper Loop
5	Series TLR	Top Loading Rake
6	Series RPB	Basic Root Plow
7	Series PL	Plow Loop
7	Series RA	Rear Arch
8	Series R	Multi-Application Rake
10	Series BRA	Blade Rake Attachment
10	Series BS	Brush Stacker
11	Series ST	Stinger

Series RP: Root Plow (Complete)

The Root Plow mounts behind a track-type tractor and is designed to plow land that has been chained and stacked or has only light to medium brush. The Root Plow shears brush below the bud zone to prevent regrowth and aid in loosening soil for better water absorption.

Features:

- Root Plow
- Overhead Frame
- Moldboard
- Double trunnion & trunnion bearings
- Hydraulic model RP-7.5 includes single cylinder hydraulically actuated cable lift and an optional operator safety canopy
- Hydraulic models RP-9 through RP-15 include dual cylinder hydraulically actuated cable lift
- Hydraulic hose group included on hydraulic models
- Hydraulic valve guard included for the D8K and D7



Optional:

- Canopy top for use with lift frame; width matching tractor fenders; adds 57 lbs/26.1 kg
- Spreader box flanges for rapid assembly and disassembly; adds 280 lbs/127 kg
- Export package

Specify tractor model, attachments and serial numbers when ordering. ROPS cab information is required.

SERIES RP: ROOT PLOWS - COMPLETE					
Catalog Number	Applicable HP Range	Width of Cut (Feet)	Width of Cut (Meters)	Weight lbs.	Weight kg
Series RP-7.5	140-170 hp	8' 8"	2.64	7,900	3,583
Series RP-9	160-200 hp	10' 2"	3.10	9,100	4,128
Series RP-11	235-270 hp	12' 2"	3.71	10,775	4,887
Series RP-12	270-300 hp	13' 2"	4.01	10,900	4,944
Series RP-14	286-335 hp	15' 2"	4.62	13,000	5,897
Series RP-15	385-410 hp	16' 2"	4.93	14,000	6,350



Series RGP: Re-Growth Plow®

Re-Growth Plows are designed to be used in areas that have already been cleared with conventional root plowing techniques, where re-growth has occurred, or where virgin brush is less than 6 inches in diameter, and 12-inch plowing depths for use on smaller tractors.

Features:

- Quick disconnect mounting and cylinder
- Additional cutting edges available

SERIES RGP: RE-GROWTH ROOT RAKE					
Catalog Number	Applicable HP Range	Width of Cut (Feet)	Width of Cut (Meters)	Weight lbs.	Weight kg
Series RGP	140-170 hp	10	3.04	4,800	2,176

Series RGR: Re-Growth Root Rake

Re-Growth Root Rakes are designed for use on land that has been root plowed. Their main application is to collect and windrow brush and roots which have been loosed by root plowing. The regrowth root rake features maximum depth control for bringing severed roots to the surface, quick highlift capability to ease removal of collected brush, and a quick disconnect feature for fast and simple implement changes.



Features:

- Quick disconnect HOLT Hitch will accept plow or rake; not standard with rake
- Tips for rake are standard Cat® 416 bucket tips.

SERIES RGR: RE-GROWTH ROOT RAKE					
Catalog Number	Applicable HP Range	Width of Cut (Feet)	Width of Cut (Meters)	Weight lbs.	Weight kg
Series RGR	140-170 hp	14	4.27	2,350	1,065



Series TLR: Top Loading Ripper Loop

The Top Loading Ripper Loop was specially designed for Cat D5 and D6 machines with an optional ripper attachment. A simple operation will convert a shank attachment to a ripper loop in minutes. This economical tool is made of high strength steel, fits the standard ripper attachment, and quickly converts similar machines for multi-use applications.

Features:

- Double edge blades
- Fins
- Bolt on edge
- Hard face standards
- Tips for rake are standard Cat 416 bucket tips.

SERIES TLR: TOP LOADING RIPPER LOOP

Catalog Number	Applicable HP Range	Width of Cut (Feet)	Width of Cut (Meters)	Weight lbs.	Weight kg
Series TLR-D5G	90 hp	7	2.13	2,540	1,000
Series TLR-D5M	110 hp	7	2.13	2,540	1,000
Series TLR-D6M	140 hp	8	2.43	3,048	1,200
Series TLR-D6N	145 hp	8	2.43	3,048	1,200

Series TLR: Top Loading Rake

The Top Loading Rake attachment is designed from high strength steel for the Cat D5 with an optional ripper attachment. With a simple operation, the shank attachment converts to a rake in minutes, and this economical tool quickly converts similar machines to multi-use applications.

Features:

- Fits standard ripper attachment
- 1.5' teeth with hard face surface
- Optional wings available



SERIES TLR: TOP LOADING RAKE

Catalog Number	Applicable HP Range	Width of Cut (Feet)	Width of Cut (Meters)	Weight lbs.	Weight kg
Series TLR-D5N	90 hp	10	3.05		
Series TLR-D5M	110 hp	10	3.05		

Series RPB: Basic Root Plow

The Basic Root Plow has a V-type moldboard with a low silhouette that easily slices through brush and tree roots. Moldboard fins move roots to the surface for maximum kill by air and sun. Throat clearance from moldboard to crossbeam allows brush and debris to flow easily through the plow.

Features:

- Root plow frame and moldboard
- Cutting edges
- Cable or hydraulic

Optional:

- Spreader box flanges for rapid assembly/disassembly, add 280 lbs/127 kg
- Export package



SERIES RPB: BASIC ROOT PLOW					
Catalog Number	Applicable HP Range	Width of Cut (Feet)	Width of Cut (Meters)	Weight lbs.	Weight kg
Series RPB 7.5	140-170 hp	8' 8"	2.64	7,200	3,266
Series RPB 9	180-200 hp	10' 2"	3.10	8,400	3,810
Series RPB 11	235-270 hp	12' 2"	3.71	9,875	4,479
Series RPB 12	270-300 hp	13' 2"	4.01	9,950	4,513
Series RPB 14	286-355 hp	15' 2"	4.62	12,076	5,478
Series RPB 15	385-410 hp	16' 2"	4.93	13,025	5,908

Series PL: Plow Loop

The Plow Loop, current thinstyle model only, is the same design as Series RP, without draft arms and cross members. It is designed to replace a worn or damaged loop.

Features:

- Moldboards, standards, fins, and blades

Optional:

- 6' Loops for PL-D6B and PL-D5 are solid moldboard type
- Export package



SERIES PL: PLOW LOOP

Catalog Number	Applicable HP Range	Width of Cut (Feet)	Width of Cut (Meters)	Weight lbs.	Weight kg
Series PL-7D	140 hp	7' 6"	2.29	1,500	680
Series PL-7EG	160-200 hp	9	2.74	2,100	953
Series PL-8	148-191 hp	9	2.74	2,100	953
Series PL-8H	235-269 hp	11	3.35	2,900	1,315
Series PL-8K	270-300 hp	12	3.67	3,200	1,452
Series PL-9	385-410 hp	14	4.27	3,900	1,769
Series PL-9GH	335-410 hp	15	4.57	4,200	1,905

Series RA: Rear Arch

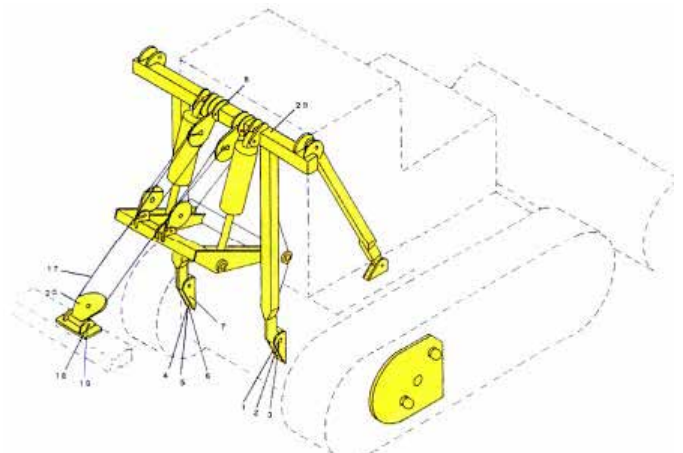
The Rear Arch is a hydraulically-operated attachment of a Root Plow utilizing maximum carrying height and controlled depth penetration.

Features:

- Brackets, sheave group
- D8K: hydraulic valve guard
- Hydraulic hoses

Optional:

- Export package



SERIES RA: REAR ARCH

Catalog Number	Models	Weight lbs	Weight kg
Series RA-7	140 hp	708	321
Series RA-7EG	160-200 hp	734	333
Series RA-8	148-191 hp	746	338
Series RA-8HK	235-269 hp	825	374
Series RA-9	270-300 hp	840	381
Series RA-9GH	385-410 hp	845	383

Series R: Multi-Application Rake

The Multi-Application Rake is an extra heavy-duty attachment for tough land clearing conditions, including tree stump and rock removal. The rake features curved tooth and moldboard design, which lifts and rolls brush for maximum carrying capacity; welded steel unit construction providing maximum strength with minimum weight; a center moldboard gives ample protection to the radiator; and proper tooth spacing, which sifts soil from brush. The rake is interchangeable with standard dozer blades and available for wheel- and track-type loaders.

Features:

- Brush rack
- Radiator protector plate
- HOLT hardware for push-arms or C-frame groups

Optional:

- HOLT heavy-duty push arms and brace group available
- Change number of teeth: add or deduct 150 lbs/68 kg for each



SERIES R: MULTI-APPLICATION RAKE

Catalog Number	Applicable HP Range	Rake Width (Feet)	Rake Width (Meters)	# of Teeth	Tooth Center in	Tooth Center cm	Tooth Width in	Tooth Width cm	Weight lbs	Weight kg
Series R4A	65-80 hp	9' 6"	2.9	8	15.5	39.2	2	5	1,635	741
Series R4S	65-80 hp	9' 6"	2.9	8	15.5	39.2	2	5	1,675	760
Series R5A	93-105 hp	11' 4"	3.45	9	16.25	41.3	2.5	6.3	2,150	975
Series R5S	93-105 hp	11' 4"	3.45	9	16.25	41.3	2.5	6.3	2,300	1,043
Series R6CA	120-140 hp	11' 4"	3.45	9	16.25	41.3	2.5	6.3	2,900	1,315
Series R6CS	120-140 hp	11' 4"	3.45	9	16.25	41.3	2.5	6.3	3,100	1,406
Series R7DA	140 hp	11' 4"	3.45	9	16.25	41.3	2.5	6.3	3,000	1,360
Series R7DS	140 hp	11' 4"	3.45	9	16.25	41.3	2.5	6.3	3,050	1,383
Series R7FA	160-180 hp	12"	3.66	9	17	43.2	3.0	7.6	4,300	1,950
Series R7FS	160-180 hp	12"	3.66	9	17	43.2	3.0	7.6	4,500	2,041
Series R8EA	191 hp	12"	3.66	9	17	43.2	3.0	7.6	4,500	2,041
Series R8ES	191 hp	12"	3.66	9	17	43.2	3.0	7.6	4,700	2,132
Series R8HA	235-270 hp	12' 8"	3.86	9	18	45.7	3.5	8.9	5,400	2,449
Series R8HS	235-270 hp	12' 8"	3.86	9	18	45.7	3.5	8.9	5,700	2,585
Series R9GA	385 hp	13' 8"	4.16	9	19	48.3	4.0	10	8,400	3,809
Series R9GS	385 hp	13' 8"	4.16	9	19	48.3	4.0	10	8,550	3,878

Series RR: Wheel-Type Root Rake

The Root Rake is a tool for removing severed roots, especially after root plowing, usually used to prepare land for disc harrowing or cultivation. The root rake offers wide raking width, giving maximum production; steel wheels, providing a leveling effect to maintain even raking depth; and a high arch between wheel assembly and rake, giving added brush capacity.

Features:

- Cable sheave group for operation, requires cable control unit
- Hydraulic cylinder and hose group, requires ripper valve
- Tooth centers: 15 inches; wheel width: 15 inches.

Optional:

- RR-24 Special Cleanup Teeth: 14 regular teeth @ 22" centers with 13 teeth between straight beam
- 24 inch wide wheels
- Bolt on draft arms for volume reduction in shipping
- Export package



SERIES RR: WHEEL-TYPE ROOT RAKE

Catalog Number	Applicable HP Range	Width of Cut (Feet)	Width of Cut (Meters)	# of Teeth	Weight lbs.	Weight kg
Series RR-18	120-140 hp	18	5.49	15	9,500	4,308
Series RR-21	160-185 hp	21	6.41	17	10,700	4,853
Series RR-24	300-385 hp	24	7.32	19	11,200	5,080

Series BRA: Blade Rake Attachment

The Blade Rake is an attachment for light to medium brush stacking operations. It features ears welded on the back of a dozer blade, allowing easy attachment and removal of the rake. Wide tooth spacing on the rake sifts soil from the brush, making burning easier.



Features:

- Main beam: BRA D3S-D6DS - 6" square tubing with 1/2" wall; BRA D7DA-D7GS - boxed 8" wide flange; BRA D8HA-D8KS - boxed 10" wide flange
- Maximum tooth length for Blade Rake: 15"

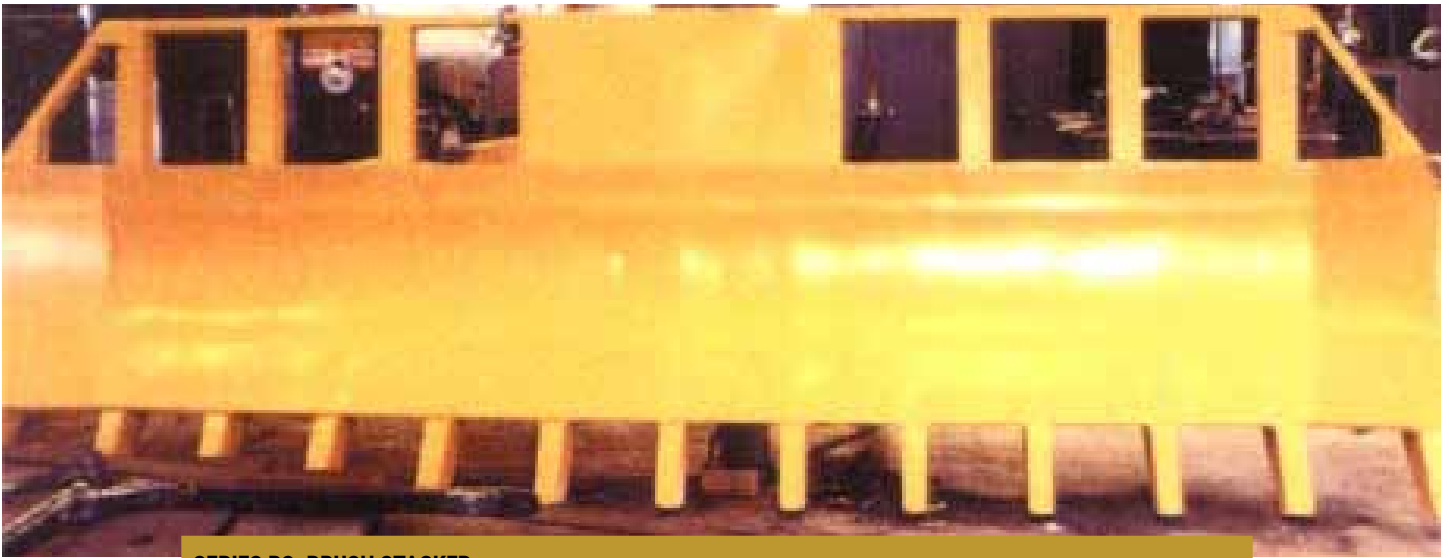
SERIES BRA: BLADE RAKE ATTACHMENT						
Catalog Number	Applicable Cat Range	Rake Width (Feet)	Rake Width (Meters)	# of Teeth	Max Tooth Penetration	Tooth Thickness
Series BRA 3S	D3	7' 11"	2.41	8	22"	2"
Series BRA 4EA	D4	10' 3"	3.12	9	22"	2"
Series BRA 4ES	D4	8' 0"	2.44	8	22"	2"
Series BRA 5A	D5	11' 11"	3.63	11	22"	2.5"
Series BRA 5S	D5	10' 4"	3.15	9	22"	2.5"
Series BRA 6A	D6	12' 5"	3.78	11	22"	2.5"
Series BRA 6S	D6	10' 6"	3.20	9	22"	2.5"
Series BRA 7A	D7	14"	4.27	11	22"	3"
Series BRA 7S	D7	12	3.66	11	22"	3"
Series BRA 8A	D8	15' 2"	4.62	13	22"	3"
Series BRA 8S	D8	12' 9"	3.88	11	22"	3"

Series BS: Brush Stacker

The Brush Stacker is designed to be mounted to dozer push arms or C-frame for fast, clean stacking of timber and brush, and prepares relatively dirt free stacks for burning or decaying. It is fabricated from heavy-duty steel, solid steel teeth with hard facing and brush rack for added capacity.

Features:

- Main beam: BRA D3S-D6DS - 6" square tubing with 1/2" wall; BRA D7DA-D7GS - boxed 8" wide flange; BRA D8HA-D8KS - boxed 10" wide flange
- Maximum tooth length for Blade Rake: 15"



SERIES BS: BRUSH STACKER

Catalog Number	Applicable HP Range	Width of Cut (Feet)	Width of Cut (Meters)	# of Teeth	Weight lbs.	Weight kg
Series BS-14	120-140 hp	14	4.27	11	3,000	1,361
Series BS-16	140-180 hp	16	4.88	13	3,500	1,587
Series BS-19	180-385 hp	19	5.79	15	4,500-5,000	2,041-2,268



Series ST: Stinger

The Stinger can be mounted to a dozer blade, C-frame, or loader arms and is designed for selective grubbing of small to medium sized brush in areas where root plowing is impractical, individual plants are widely disbursed, or sculpturing brush is desired.

Features:

- Attaching brackets, trimmed and welded on dozer
- Replaceable cutting edges

SERIES ST: STINGER

Catalog Number	Applicable HP Range	Width of Cut (Feet)	Width of Cut (Meters)	Weight lbs	Weight kg
Series ST-2.5	65-70 hp	2.5	0.76	700	320
Series ST-3	50-105 hp	3	0.91	760	345
Series ST-4	65-190 hp	4	1.22	1,103	500
Seris ST-5	140-190 hp	5	1.52	1,300	575



Reputations aren't just earned. They're forged.

They're forged of actions performed over time.

Of promises kept. Of challenges overcome.

They're forged in the fire of a passion for what you do – in the heat of uncompromising standards.

At HOLT Manufacturing, we forge the reputations of both ourselves and our customers with skilled craftspeople tailoring individualized solutions in a constant quest for “better.”

The Holt family has earned the confidence of our customers since 1883 – through our companies' resourcefulness and rock solid reliability

We're not just focused on customer satisfaction.

We're committed to it. Invested in it.

Because that's how reputations are forged.
